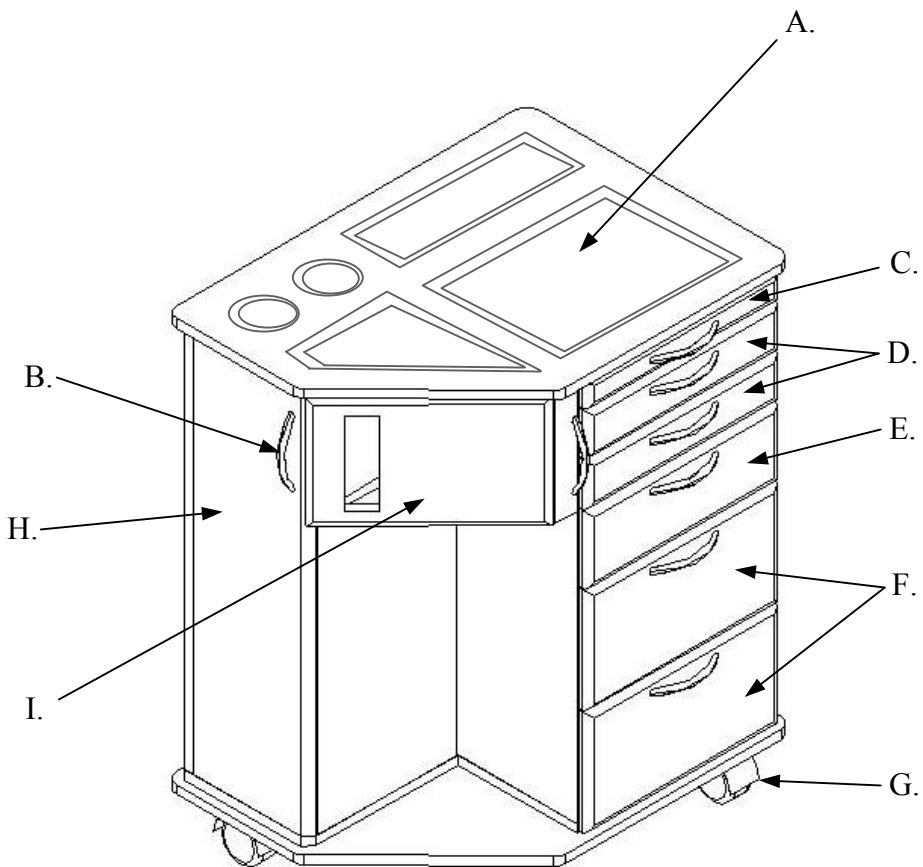


Cabinet Parts List



Description	Part Number
A. Removable Plastic Surface Tray	1-020-0101
B. Aluminum Handles	5-020-0034
C. Breadboard	2-020-XXXX (<i>specify color</i>)
D. Small Storage Drawer	2-020-XXXX (<i>specify color</i>)
E. Medium Storage Drawer	2-020-XXXX (<i>specify color</i>)
F. Large Storage Drawer	2-020-XXXX (<i>specify color</i>)
G. Dual Caster Wheels	2-020-0106
H. Cart Frame	2-020-0020
I. Handpiece Control Door	2-020-XXXX (<i>specify color</i>)
J. Door Hinge (<i>not shown</i>)	5-020-0020
K. Drawer Glide Kit (<i>not shown</i>)	2-020-0108